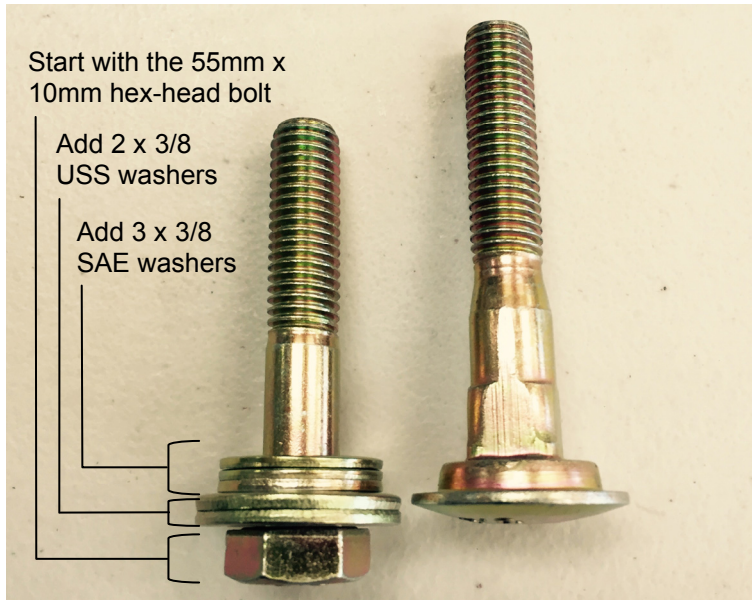




USING CARRIAGE BOLTS

For headers that require a carriage bolt, in the event that the carriage bolt (32310, 32312 or 32314) was not purchased, it is possible to mimic the step to accommodate the poly skid plate with the hex-head bolt that is included with the QD™ nut assembly.

FOR HEADER WITH POLY SKID PLATE & 7/16" BOLT HOLE (32310):



FOR ANY OTHER HEADER REQUIRING A CARRIAGE BOLT (32312 & 32314):



NOTE: Using the above configurations, the hex-head bolt may wear over time, in which case it will be impossible to remove without cutting or grinding it off. The hex-head will also catch plant material and rocks under the bolt.